

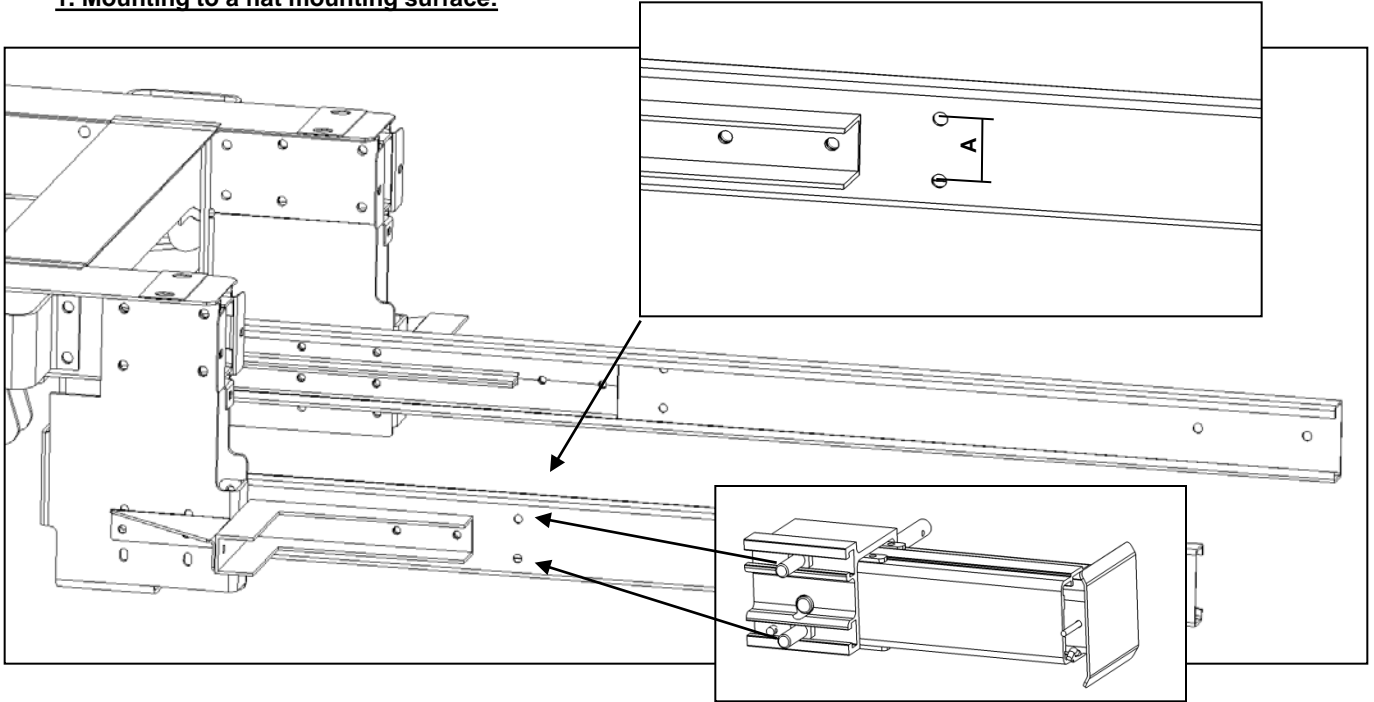


Anbauanleitung:	Art. Text Nr.: T00223
Fahrzeugchassis:	
Typenbezeichnung:	Alu Matic Stütze
Ableitungszeichnung:	
Technische Änderungen vorbehalten:	

Care instructions:

All moving parts must be cleaned at regular intervals or on demand and optionally oiled or greased.

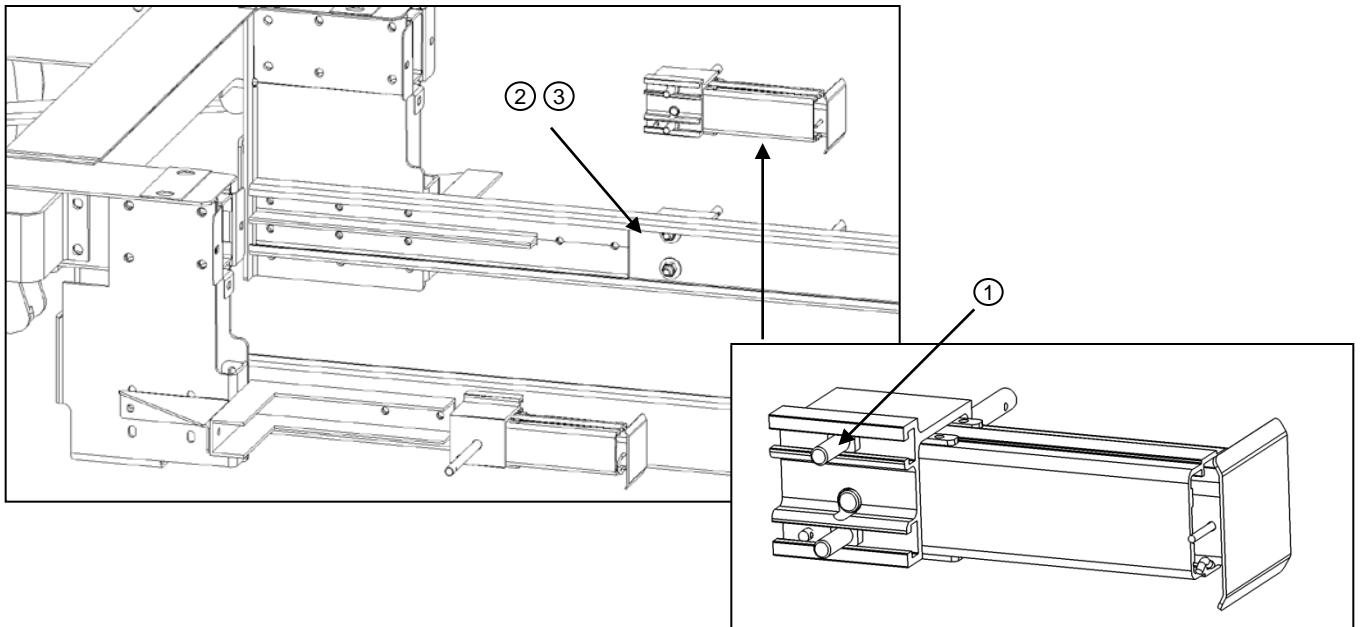
1. Mounting to a flat mounting surface:



If there are no holes in the frame extension, they have to be drilled.

Distance A= 51mm, 11mm bore diameter.

CAUTION! : Take care of anticorrosive coating after drilling!!!



Step	Pos.	Description / Material	Quantity/ Norm
01	1	Screw Kl.8.8	4x DIN 933 – M10x30
	2	Shim	4x DIN 9021 – 10,5
	3	Nut Kl.8	4x DIN 985 – M10

T00223_ppt



Anbauanleitung:	Art. Text Nr.: T00223
Fahrzeugchassis:	
Typenbezeichnung:	Alu Matic Stütze
Ableitungszeichnung:	
Technische Änderungen vorbehalten:	

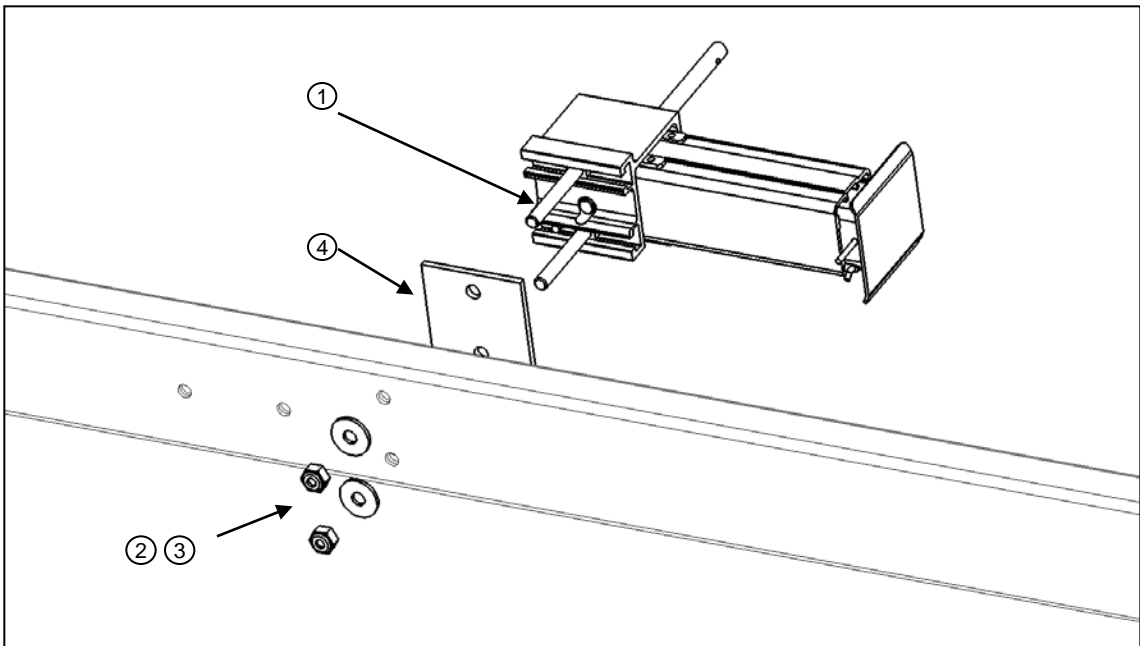
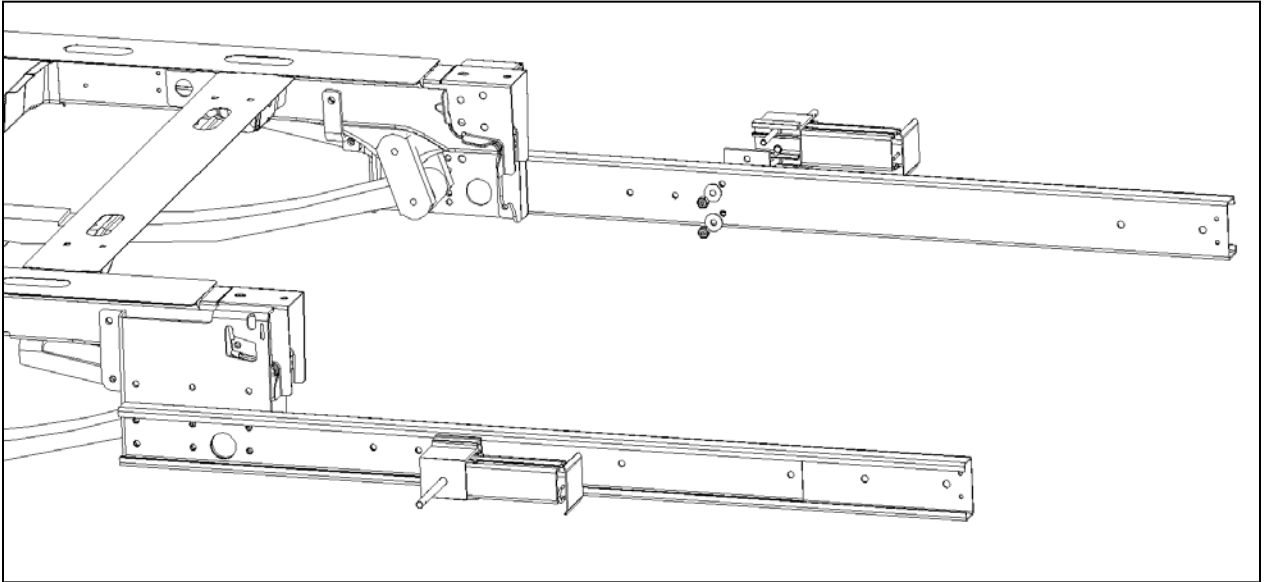
Care instructions:

All moving parts must be cleaned at regular intervals or on demand and optionally oiled or greased.

2. Mounting to an uneven mounting surface:

CAUTION! This plate must be ordered separately. (Not included in delivery contents.)

If there are no holes in the frame extension, they have to be drilled as shown in step1, page 1.



Step	Pos.	Description / Material	Quantity/ Nom
02	1	Screw Kl.8.8	4x DIN 931 – M10x70
	2	Shim	4x DIN 9021 – 10,5
	3	Nut Kl.8	4x DIN 985 – M10
	4	Plate	2x

T00223_ppt