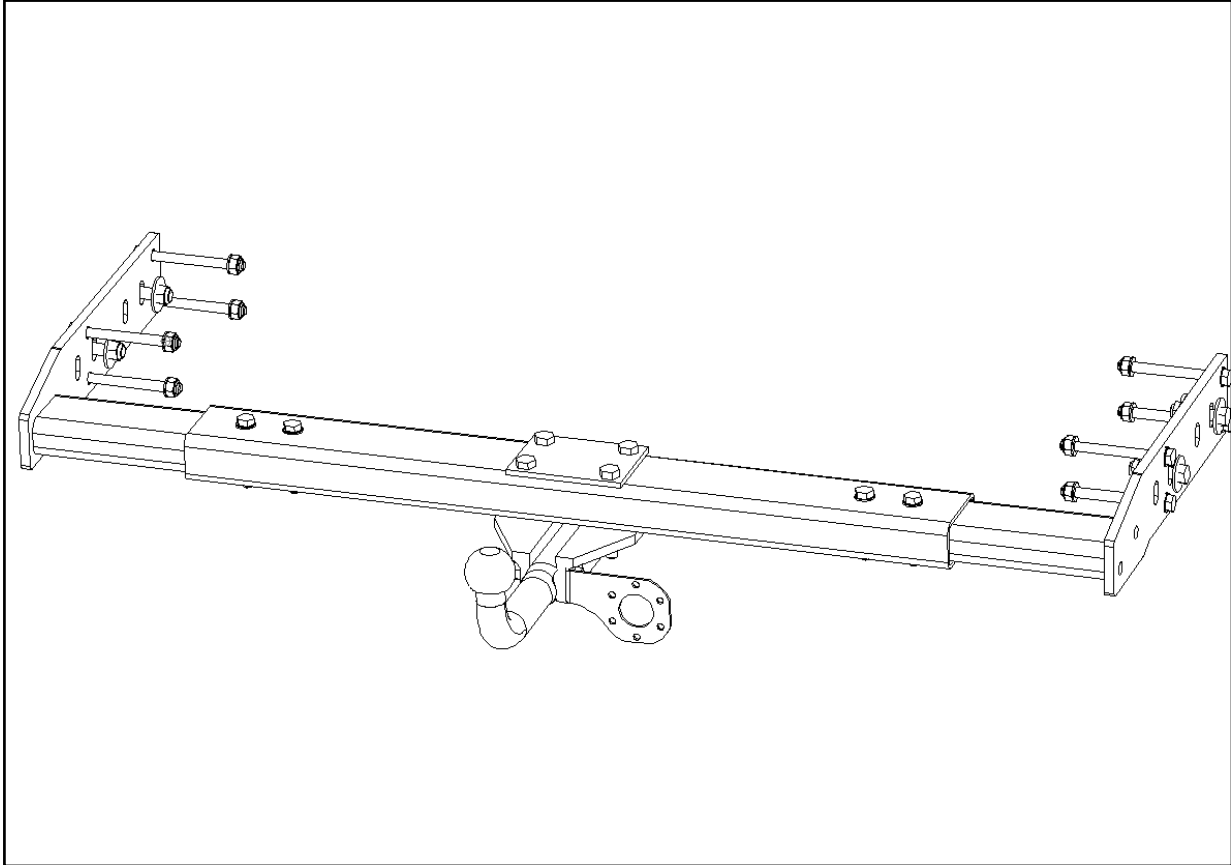




Installation Manuel:	Art. Text Nr.:	1000053008601
Chassis:	Alle Fahrzeuge	
Type designation:	Verstellbare AHK	
Reference drawing:	20004285 => Art.: 1029000100700	

## General view Installation (Configuration):



Stückliste: [Mengenstückliste](#):

1. Installation - Preliminaries
2. Permissible Alternatives
3. Fitting options:
  - 3.1 Fit to Alu-extension
  - 3.2 Fit to Steel-extension
  - 3.3 Fit with Locking plate
4. Tightening torque

### **Attention!**

Applying an anticorrosion coating where holes have been drilled is strongly advised!  
Anticorrosion coating and wax should be carefully removed from all surfaces before and wherever adapter parts are bolted to the chassis frame

### **Recommendation!**

All fasteners should be re-tightened after 1000 km  
To avoid forfeiture of the liability insurance, only SMV parts shall be used.  
All parts for this assembly can be re-used to be mounted on another vehicle. The main supporting beam and the fasteners  
To be replaced by parts matching the equivalent standards

### **Tightening torque values:**

Refer to **T0002** for tightening torque on all fasteners.

### **Important!**

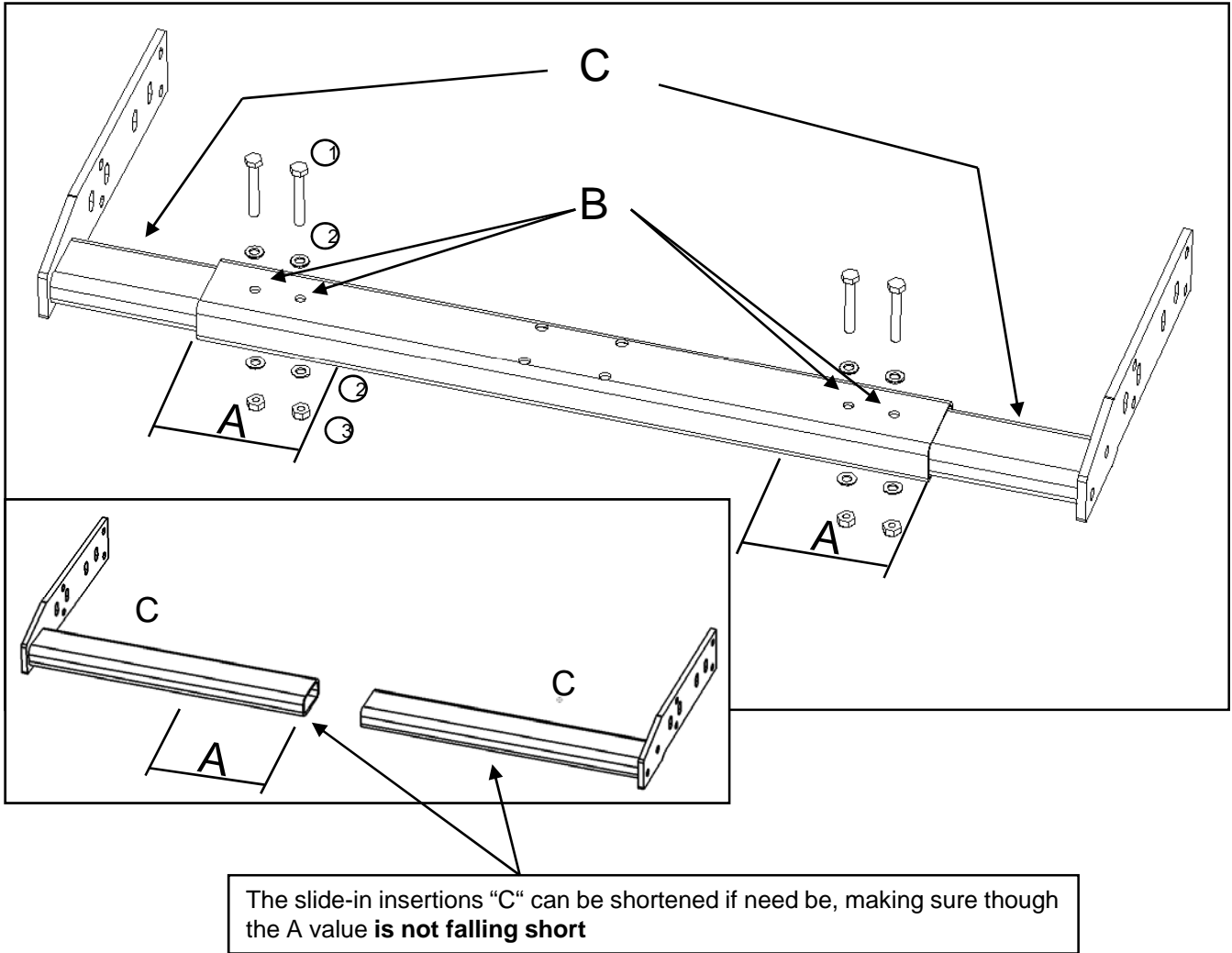
Do not throw away this assembly manual. It should remain with the conformity certificate of the vehicle

T00168\_ppt



Installation Manuel:	Art. Text Nr.:	1000053008601
Chassis:	Alle Fahrzeuge	
Type designation:	Verstellbare AHK	
Reference drawing:	20004285 => Art.: 1029000100700	

### 1. Assembling - Preliminaries



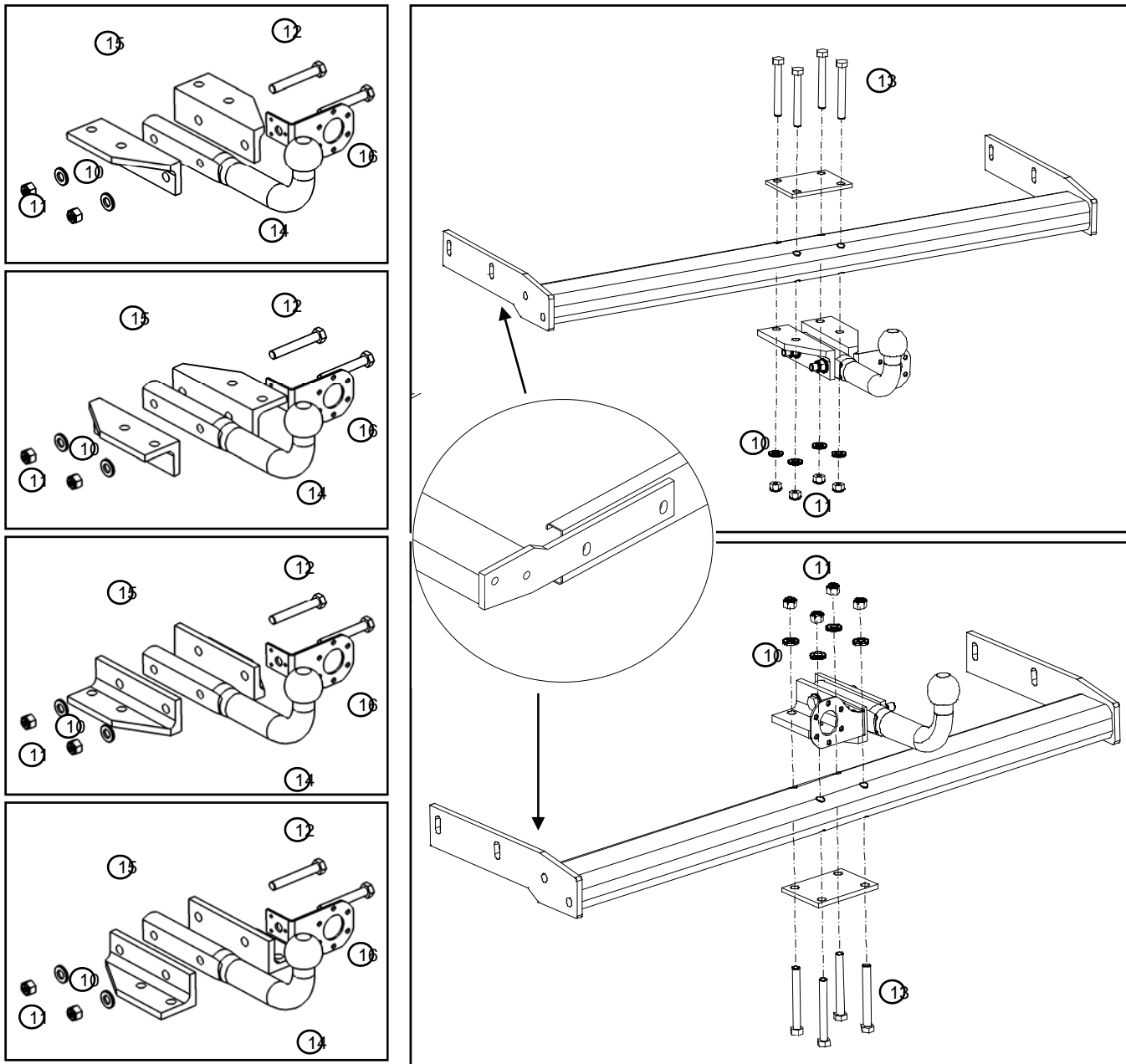
- 1.1 Adjust the cross member to the required width.
- 1.2 Dimension "A" (Insertion depth of the tube) **must be equal on both sides and at the least 200mm.**
- 1.3 Drill the holes "B" with  $\varnothing$  11mm through the inserted tube "C".
- 1.4 Bolt the cross member together.

Step	Pos.	Description/Material	Quantity/Standard
01	1	Hex screw	4x DIN 931 – M10x70
	2	Washer	8x DIN 125 – 10,5
	3	Hex nut	4x DIN 985 – M10

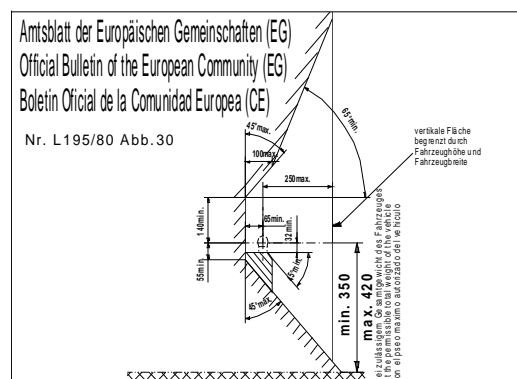


Installation Manuel:	Art. Text Nr.:	1000053008601
Chassis:	Alle Fahrzeuge	
Type designation:	Verstellbare AHK	
Reference drawing:	20004285 => Art.: 1029000100700	

## 2. Permissible Assembly Options:



Step	Pos.	Description/Material	Quantity/Standard
02	10	Washer	6x DIN 125 – 10,5
	11	Hex nut	6x DIN 985 – M12
	12	Hex screw	2x DIN 931 – M12x80
	13	Hex screw	4x DIN 931 – M12x90
	14	Ball Towbar	1x
	15	Support angle Left / Right	each 1x
	16	Power socket baseplate	1x

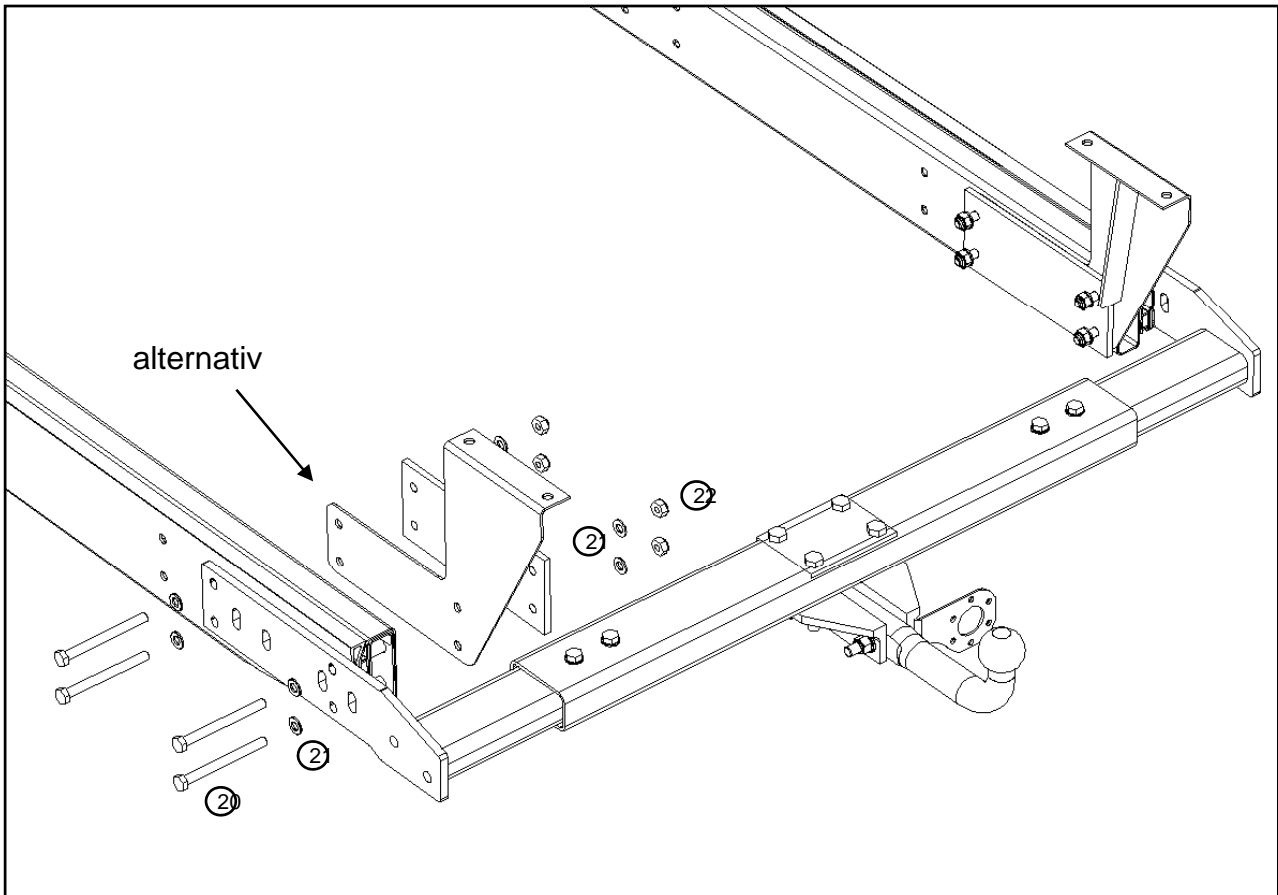




Installation Manuel:	Art. Text Nr.:	1000053008601
Chassis:	Alle Fahrzeuge	
Type designation:	Verstellbare AHK	
Reference drawing:	20004285 => Art.: 1029000100700	

### 3. Attachment options:

#### 3.1 Fitting to Alu-extension:



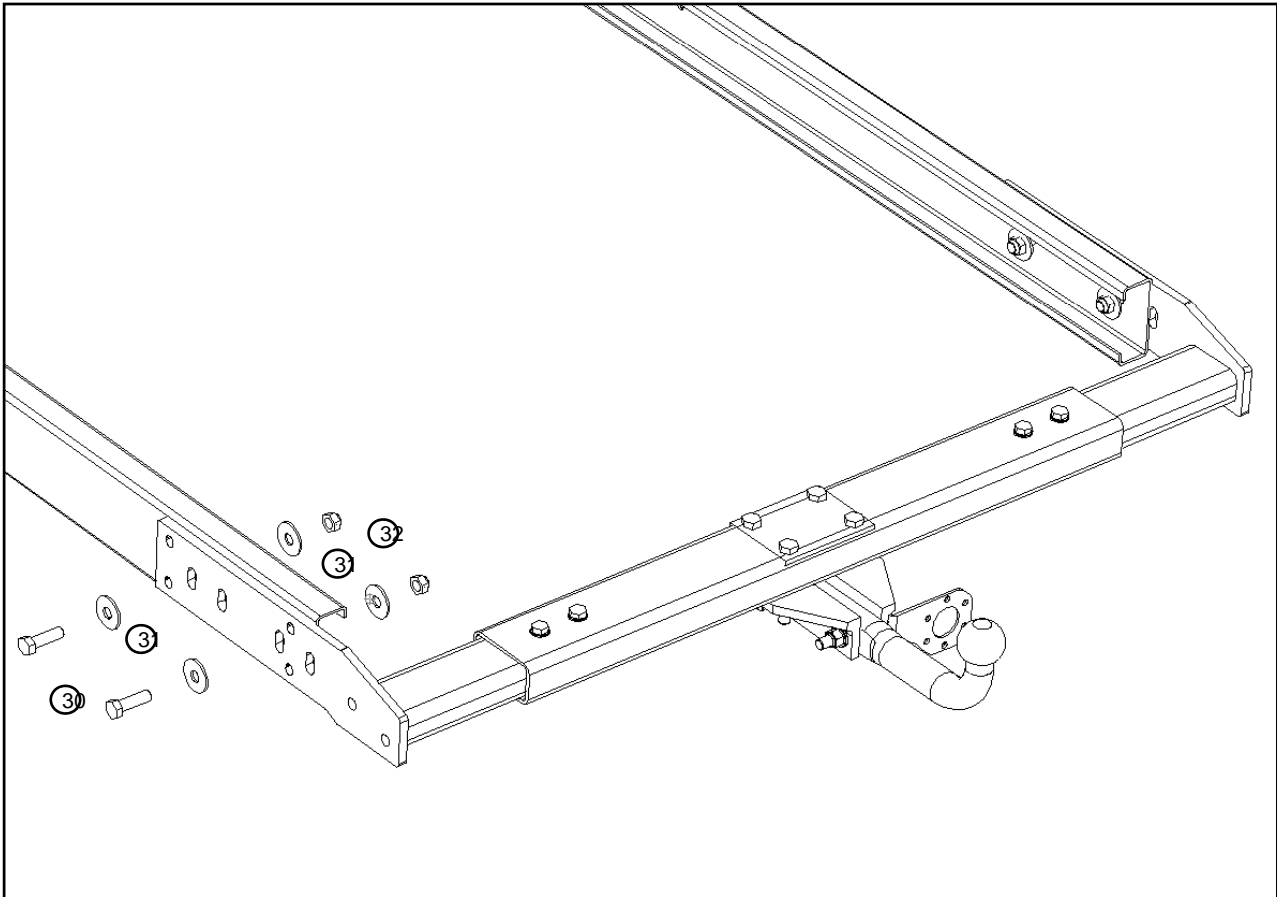
Step	Pos.	Description/Material	Quantity/Standard
03.1	20	Hex screw	8x DIN 931 – M10x110
	21	Washer	16x DIN 125 – 10,5
	22	Hex nut	8x DIN 985 – M10



Installation Manuel:	Art. Text Nr.:	1000053008601
Chassis:	Alle Fahrzeuge	
Type designation:	Verstellbare AHK	
Reference drawing:	20004285 => Art.: 1029000100700	

### 3. Attachment options:

#### 3.2 Fitting to Steel-extension or Alko-Chassis:



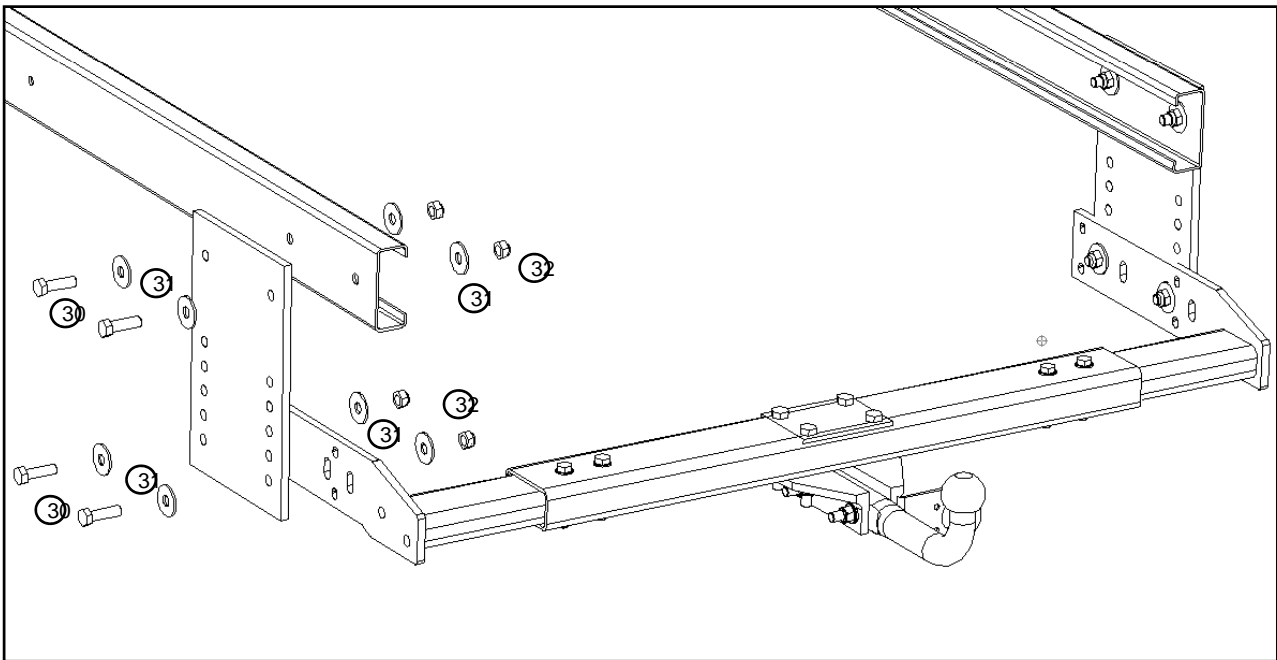
Step	Pos.	Description/Material	Quantity/Standard
03.2	30	Hex screw	4x DIN 933 – M12x40
	31	Washer	8x DIN 9021 – 13
	32	Hex nut	4x DIN 985 – M12



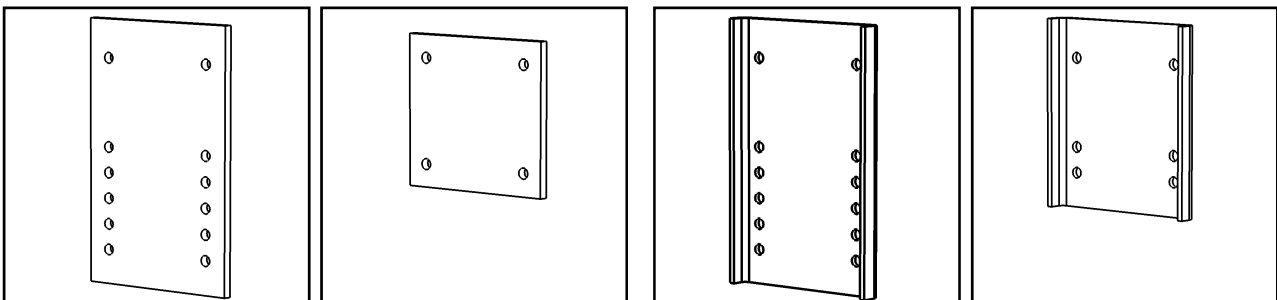
<b>Installation Manuel:</b>	<b>Art. Text Nr.:</b>	<b>1000053008601</b>
<b>Chassis:</b>	Alle Fahrzeuge	
<b>Type designation:</b>	Verstellbare AHK	
<b>Reference drawing:</b>	20004285 => Art.: 1029000100700	

**3. Attachment options:**

**3.3 Fitting with locking plate to Steel extension or Alko-Chassis:**



**3.1.1 Various locking plates:**



Step	Pos.	Description/Material	Quantity/Standard
03.2	30	Hex screw	8x DIN 933 – M12x40
	31	Washer	16x DIN 9021 – 13
	32	Hex nut	8x DIN 985 – M12



<b>Installation Manuel:</b>	<b>Art. Text Nr.:</b>	<b>1000053008601</b>
<b>Chassis:</b>	Alle Fahrzeuge	
<b>Type designation:</b>	Verstellbare AHK	
<b>Reference drawing:</b>	20004285 => Art.: 1029000100700	

**4. Tightening torque:**

**Screw size      Friction coefficient      Tightening torque MA max (Ncm)**

Schrauben- Abmessung	Reibwert y ges.	Anziehdrehmomente MA max (Ncm)					
		4.6	5.6	4.8	5.8	8.8	10.9
<b>M 3</b>	0,125	44	56	72	128	180	215
<b>M 3,5</b>	0,125	68	86	110	196	275	330
<b>M 4</b>	0,125	102	128	166	290	410	495
<b>M 5</b>	0,125	200	250	320	575	810	970
<b>Anziehdrehmomente MA max (Nm)</b>							
<b>M 6</b>	0,125	3,4	4,3	5,6	9,9	14	16,5
<b>M 7</b>	0,125	5,7	7,1	9,3	16,5	23	27
<b>M 8</b>	0,128	8,3	10,5	13,6	24	34	40
<b>M 10</b>	0,125	16,6	21	27	48	67	81
<b>M 12</b>	0,125	29	36	47	83	117	140
<b>M 14</b>	0,125	46	58	74	132	185	220
<b>M 16</b>	0,125	70	88	115	200	285	340
<b>M 18</b>	0,125	95	121	155	275	390	470
<b>M 20</b>	0,125	135	171	219	390	550	660

Text Nr.: T00002.doc  
Seite: 1/1